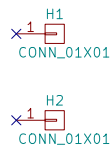
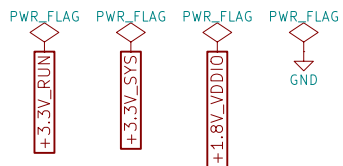


Pg. 25 : <http://developer.download.nvidia.com/embedded/jetson/TK1/docs/602-7R375-0000-D00.Schematics.Rev.4.02.pdf>
<https://devtalk.nvidia.com/default/topic/762822/embedded-systems/front-panel-pins-description/>



L3A1 and J3A2 voltage level shifter
Katodo di Mauro Soligo

Sheet: /
 File: EasyTK1_IO.sch

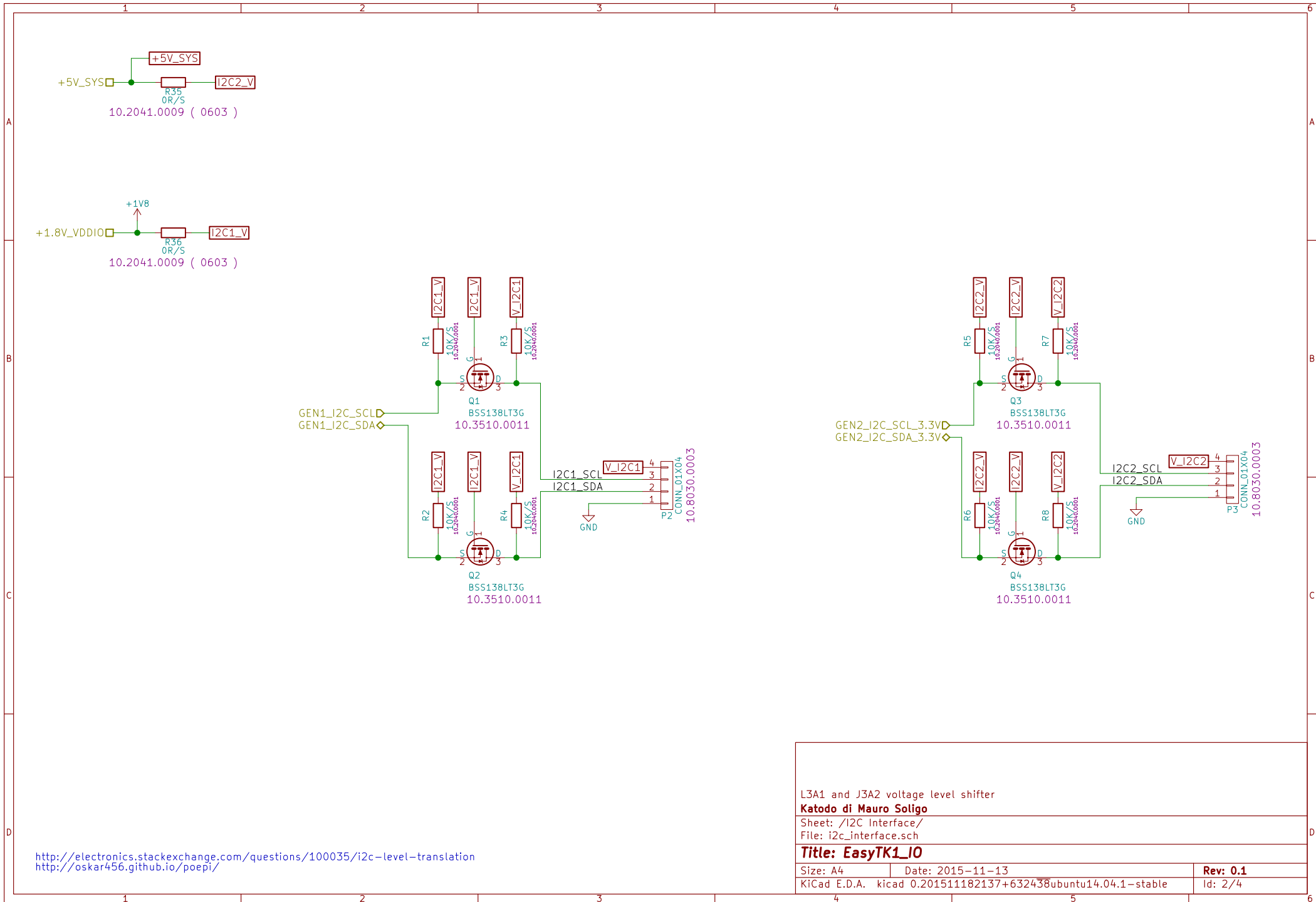
Title: EasyTK1_IO

Size: A4 Date: 2015-11-13

KiCad E.D.A. kicad 0.201511182137+632438ubuntu14.04.1-stable

Rev: 0.1

Id: 1/4



<http://electronics.stackexchange.com/questions/100035/i2c-level-translation>
<http://oskar456.github.io/poe/pi/>

L3A1 and J3A2 voltage level shifter

Katodo di Mauro Soligo

Sheet: /I2C Interface/

File: i2c_interface.sch

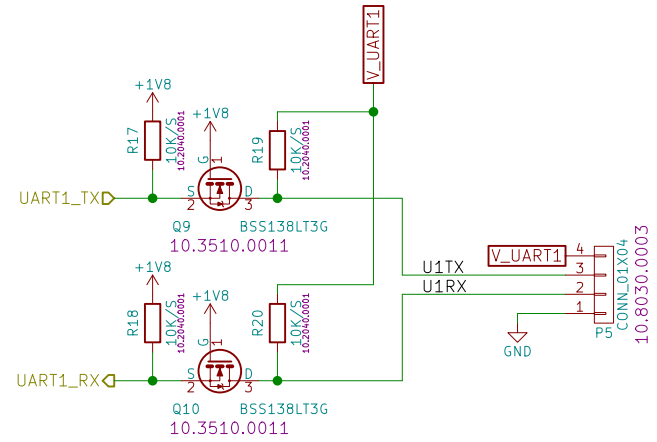
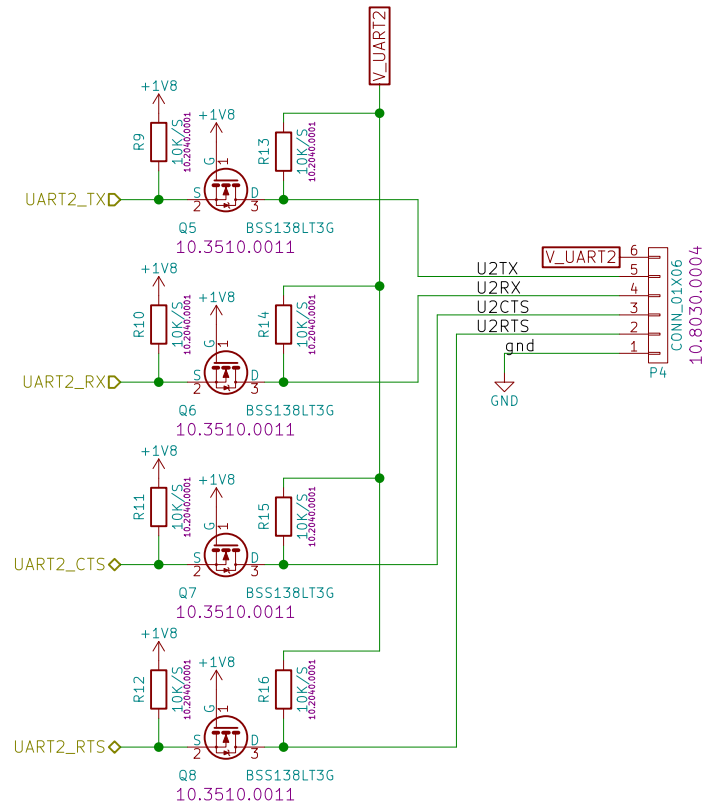
Title: EasyTK1_IO

Size: A4 Date: 2015-11-13

KiCad E.D.A. kicad 0.201511182137+632438ubuntu14.04.1-stable

Rev: 0.1

Id: 2/4



L3A1 and J3A2 voltage level shifter

Katodo di Mauro Soligo

Sheet: /UART Interface/

File: uart_interface.sch

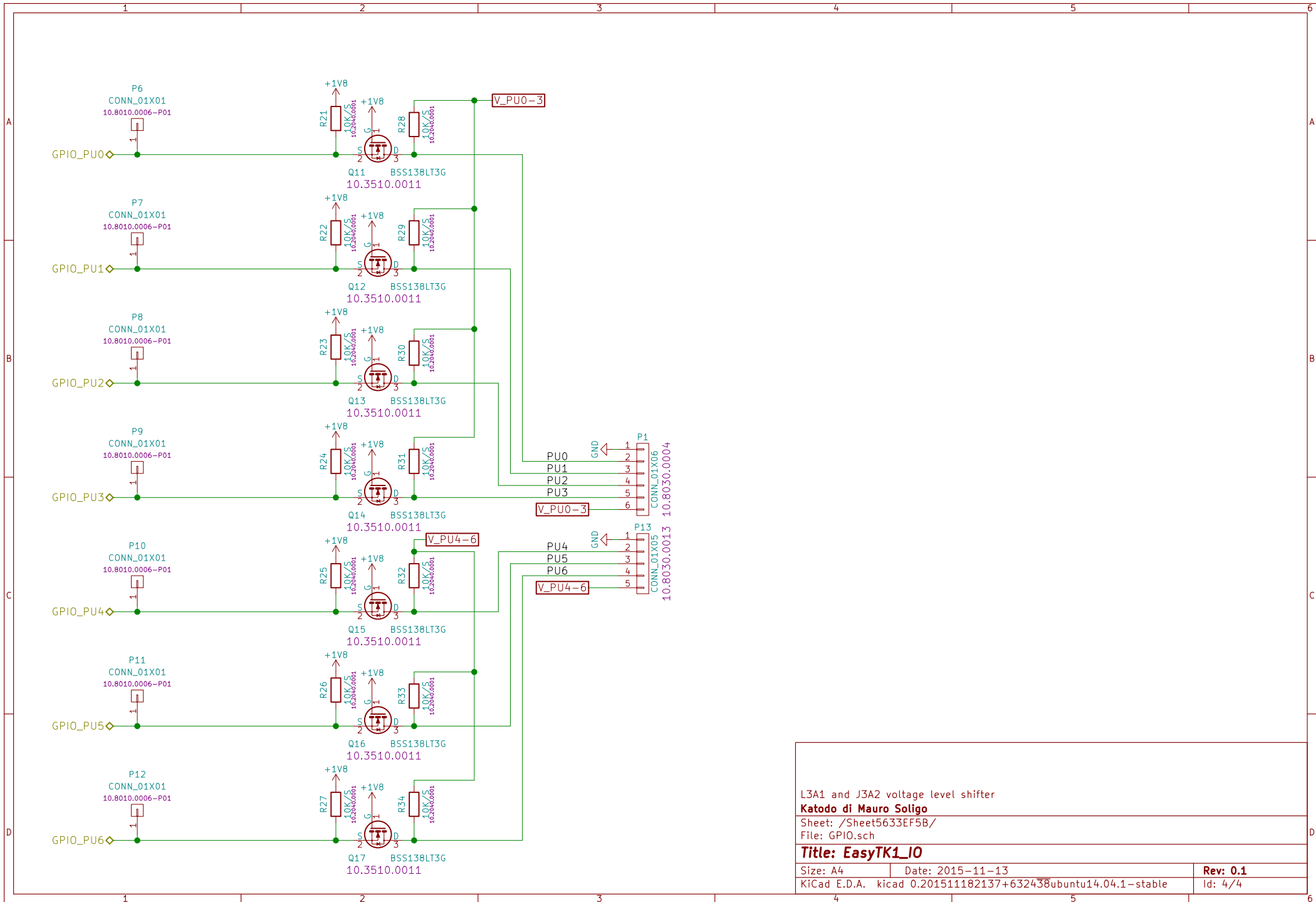
Title: EasyTK1_IO

Size: A4 Date: 2015-11-13

KiCad E.D.A. kicad 0.201511182137+632438ubuntu14.04.1-stable

Rev: 0.1

Id: 3/4



L3A1 and J3A2 voltage level shifter

Katodo di Mauro Soligo

Sheet: /Sheet5633EF5B/

File: GPIO.sch

Title: EasyTK1_IO

Size: A4 | Date: 2015-11-13

KiCad E.D.A. kicad 0.201511182137+632438ubuntu14.04.1-stable

Rev: 0.1

Id: 4/4